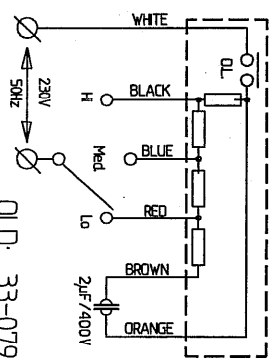
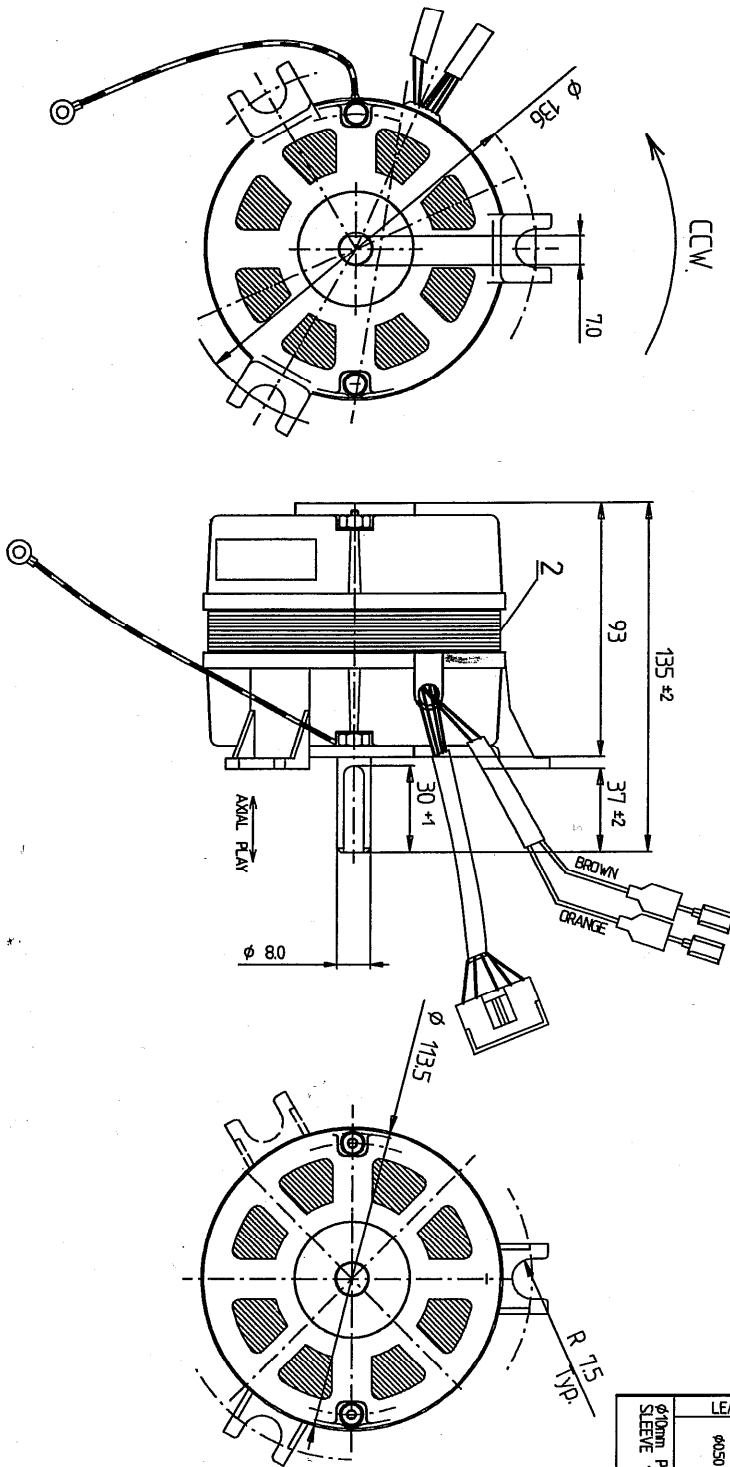
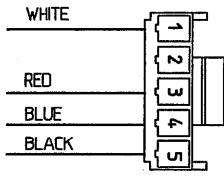


all dimensions in mm.



WRES CAT#	1612093	LEV. WIRE	WRES END
DESCRIPTION	YELLOW/GREEN	320+50	RMS TERMINAL Ø5mm
LEADS	WHITE, RED, BLUE, BLACK, BROWN/ORANGE	300+50	CONNECTORST-TWR-2N WIRE BUSHSWITCH-P11
Ø10mm PVC SLEEVE 105C	BLACK	220 ±0	FASTON 250RPM +COVER
		190 ±0	DN WRES BROWN & ORANGE

COLOR: BLACK
 TYPE 6102093 PRX400 DYNAR
 CAT No:435563 CLB THPR
 IPH 230V 50Hz 031A W025
 RPM: 880/810/690 2UF/400V DATE



Drawn	MR	04.11.01	Motor assembly -PRX 300/400
Approved			Cat.No: 1312093
Scale	1/2		Motor Type 6102093 Stack 20
Gen. Tolerance	±10		Customer ELECTRA Cat.No: 435563
File:	E-GR(410-2092)ASSY	Vi: 2093	PRINT: 04.11.01

OLD: 33-079